

Blood Glucose Monitor

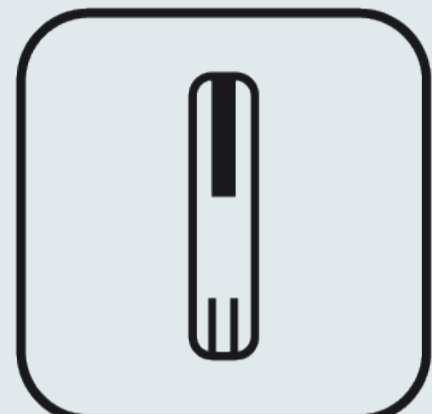
Healthcare Products

Redefining Health

Transforming Lives with Innovative Solutions



No coding



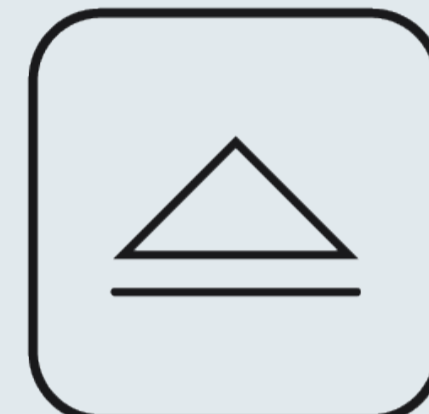
8 electrodes



HCT 20-70%



1000 results



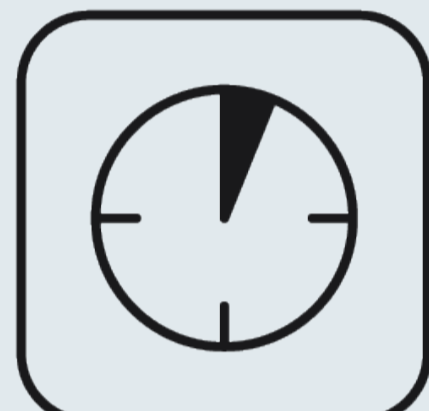
Strip ejector



Test range
10-600mg/dL



0.5 µL blood
sample



5 seconds
test time



37mm x 47mm
larger screen



Luxury Kit

AHG-2285

Lifetime International
Warranty



Blood Glucose Monitor

Healthcare Products

American
Health
Gate

Meter Specifications

- Sample: Fresh capillary whole blood
- Test Measured: Glucose in fingertip capillary whole blood
- Enzyme: GOD/Glucose Oxidase
- Sample Volume: 0.5 μ L
- Test Time: 5 seconds
- Test averaging: 7, 14, and 30-day average
- Memory: Up to 1000 records with date and time
- Measurement Range: 10 to 600 mg/dL
- Battery Type: Two AAA LR03 1.5V batteries
- Automatic Shutoff: 2 minutes after the last action
- Dimensions: 93.5mm x 60.5mm x 20mm
- Display Size: 37mm x 47mm
- Weight: 86.2g (including battery)
- Operating Temperature: 41-113°F / 5-45°C
- Operating Relative humidity: R.H. \leq 10-90%



Simple

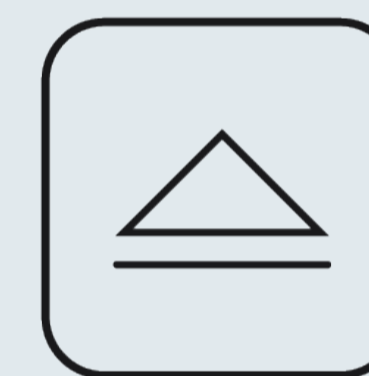
No coding, no connection required, making the testing process quicker and easier.



No coding

Test strip ejector

Strip ejector helps in maintaining hygiene and reducing contamination risks by avoiding touch used strips.



Strip ejector

Wide HCT range

20-70%, Suitable for everyone.



HCT 20-70%

Large Memory

Large memory for the comprehensive data tracking and analysis.



1000 results

In a recent independent clinical study, every result from the AHG-2285 demonstrated advanced accuracy, with a remarkable 100% falling within $\pm 15\%$ of YSI plasma results. The HCT of neonatal (less than 3 weeks old) is usually up to 65%, which means that neonatal samples can be tested.

Blood Glucose Monitor

Healthcare Products

Test Strip Specifications

- Test Strip Specifications
- Carbon silver structure electrode design
- 8 electrodes technology
- Enzyme: GOD/Glucose Oxidase
- Highly accurate & precise results
- Code calibration (auto-coding)
- For self-testing and in-vitro diagnostic use only
- Storage Temperature: 36-86°F / 2-30°C
- Open shelf life: 6 months



GOD



High accuracy



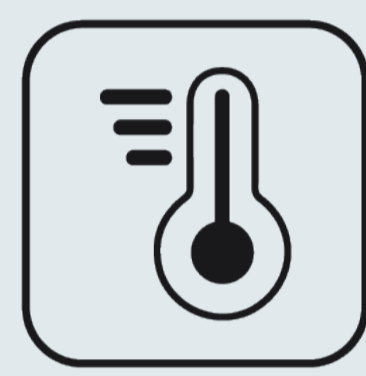
Single use



Shelf life



Humidity
10-90%



36-86°F
2-30°C



The technological leadership of the AHG-2285 lies in its test strip a carbon silver structure with 8-electrode on a single layer for enhancing the accuracy and reliability of the blood glucose readings.

Detailed functions of those electrodes include:

Code Calibration (Auto-Coding):

Detects and eliminates coding errors.

Eliminate Hematocrit Interference:

Corrects interference within $\pm 10\%$.

Eliminate Temperature Interference:

Compensates within $\pm 5\%$ for temperature effects.

Check Humidity Exposure:

Prevents erratic results due to humidity.

Check Sample Sufficiency:

Ensures correct blood amount for accurate readings.

Recognize Control Solution:

Identifies blood samples for precise testing.

Check Test Strip Damage:

Prompts use of a new strip if damage is detected.

Check Test Strip Compatibility:

Checks strip-meter compatibility for accurate results.

Blood Glucose Monitor

Healthcare Products

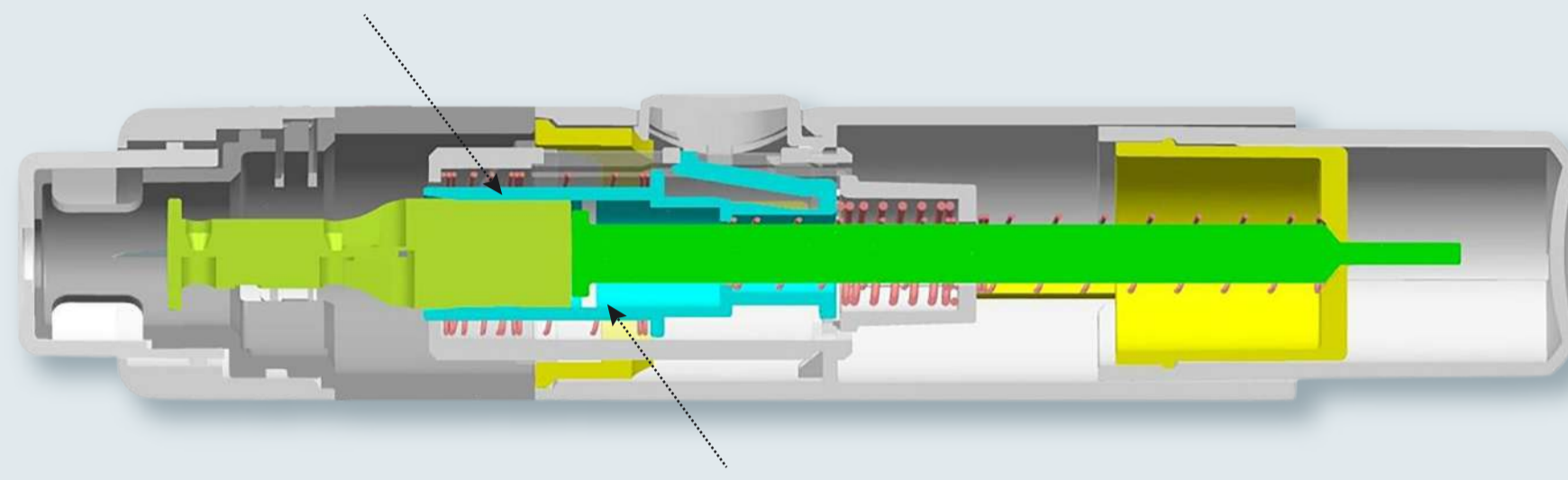
American
Health
Gate

Innovative Comfort, Zero Pain Guarantee

Experience utmost comfort with our lancing device, integrating advanced minimally invasive technology.

Forward Spring Technology:

- Minimizes pain and vibration during use.

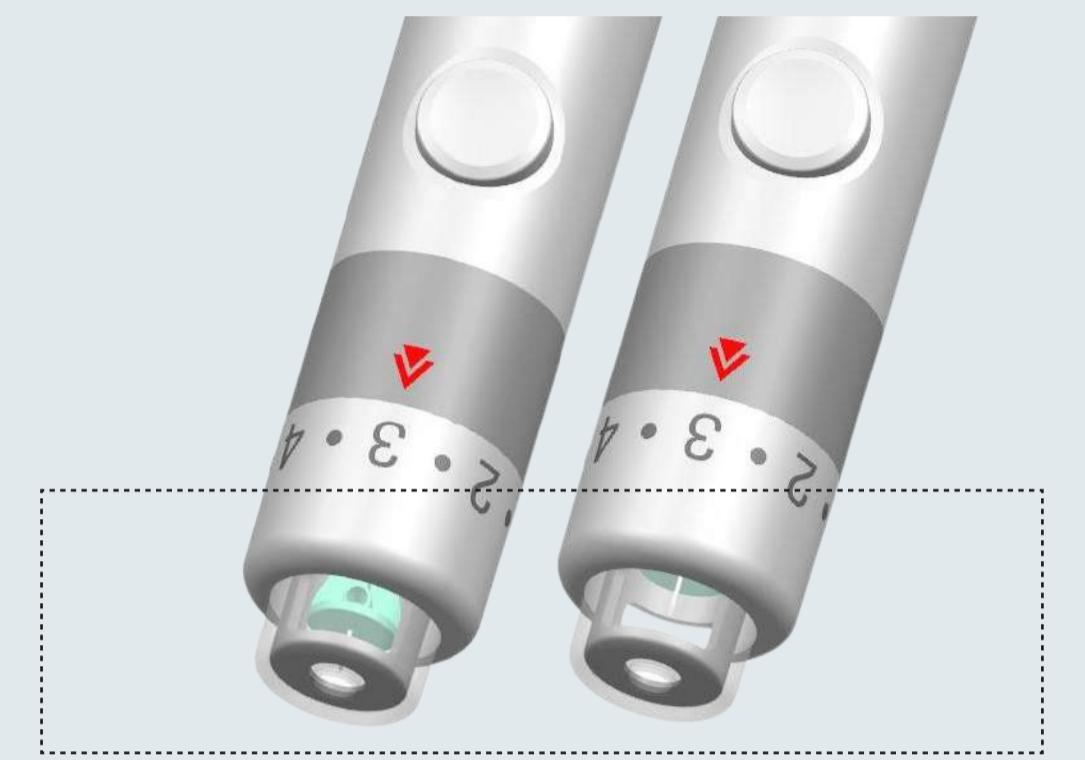


Independent Lancet Holder

- Ensures precise, painless lancet insertion.

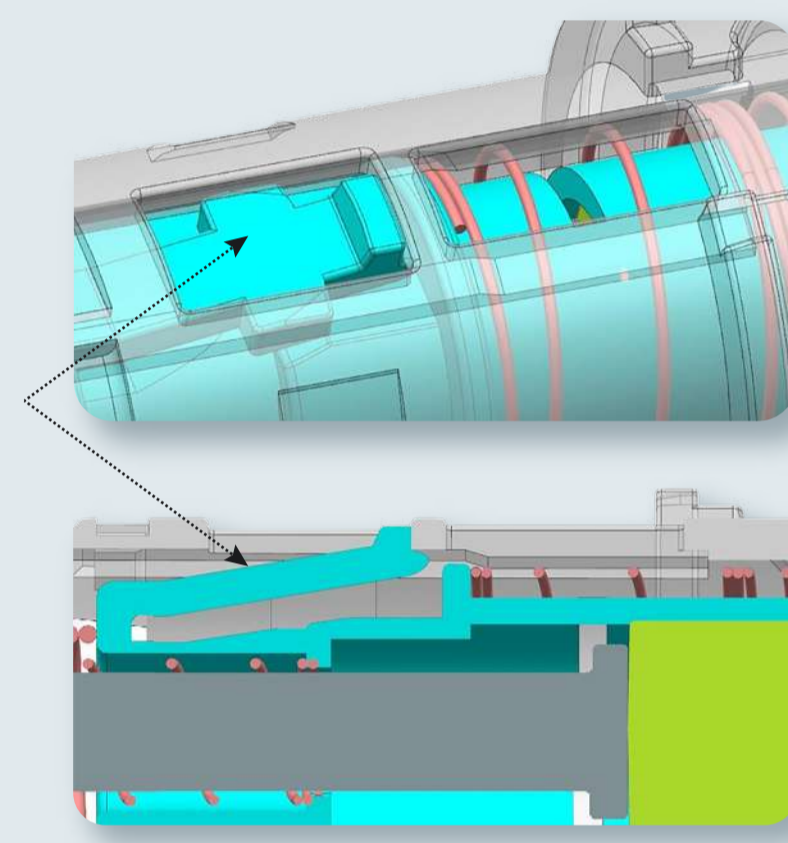
Ready for use or not:

- warning lancet stored or not



Elastic Rail System:

- Promotes smoother, less painful lancet penetration.



11 Depth Settings:

- Customizable settings for user comfort and needs.



2-in-1 Button & Lancet Ejector:

- Streamlined design for easy cleaning, with a safety feature preventing lancet ejection without proper cap twisting.



AHG-2285

Lancing Device



Blood Glucose Monitor

Healthcare Products

Experience the Difference

American Health Gate's exclusive Blood Glucose Monitor packing, setting a new standard with a unique blend of luxury and quality.

Luxury Kit

AHG-2285

Contents:

- Blood Glucose Meter
- 1 Lancing Device
- 25 Blood Glucose Test Strips
- 25 Lancets
- 2 AAA Batteries
- User Manual
- Luxury travel bag

