

STERILE DISPOSABLE SAFETY LANCET

AHG-IIA

Advanced Technology for Safer, More Comfortable Blood Sampling

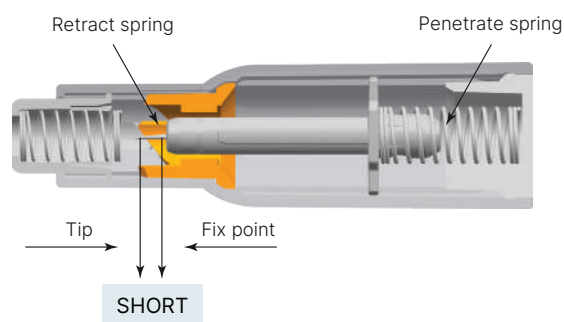
Discover the perfect solution for safe, hygienic, and painless blood sampling. AHG disposable safety lancets are engineered with a retraction system that ensures minimal pain and maximized hygiene, making them the top choice for healthcare professionals and patients alike.



What Makes AHG Safety Lancets the Best Choice?

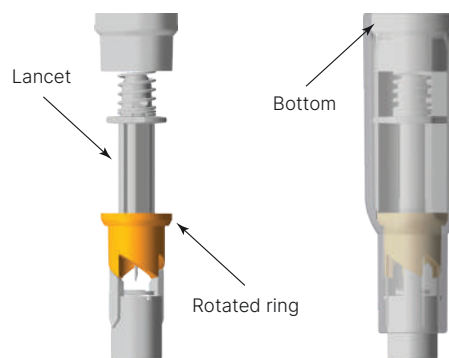
Dual Spring Mechanism

Dual spring system ensures safe retraction of the needle after use and minimizes vibration for smoother penetration.



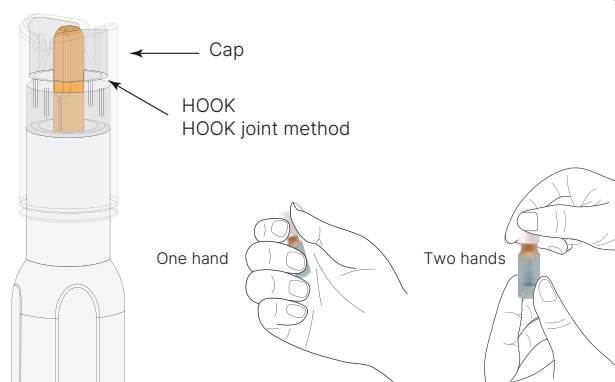
Rotated Ring Design

Prevents accidental reloading and enhances safety by ensuring the lancet cannot be reopened without destruction.



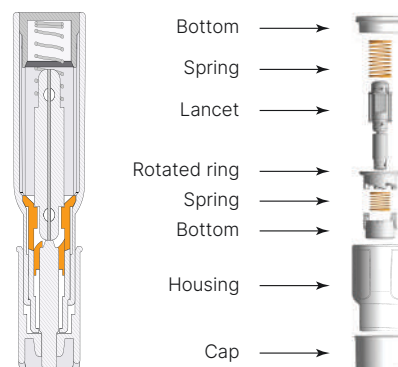
Integrated Cap

Large cap with a secure HOOK joint method, requiring less than one full twist (<math><360^\circ</math>) to remove.



Free Angle Assembly

High-quality components that reduce defects and ensure consistent performance every time.



Why Choose AHG Safety Lancets?

"Advantages You Can't Ignore."

Ergonomic Design

Comfortable grip for easy handling and reduced slippage.



ERGONOMIC
DESIGN



Hygienic & Sterile

Sterilized with γ -ray irradiation, ensuring %100 hygiene and safety.



HYGIENIC &
STERILE



Minimized Discomfort

28G ultra-thin needle and dual spring mechanism for a pain-free experience.



MINIMIZED
DISCOMFORT



Easy to Use

Pre-loaded, no assembly needed, just twist, press, and use.



EASY TO USE



Safety

Auto-retract needle prevents needlestick injuries and ensures safe disposal.



SAFETY



Cost-Effective

No need for additional lancing devices, reducing overall costs for patients and healthcare.



COST-EFFECTIVE



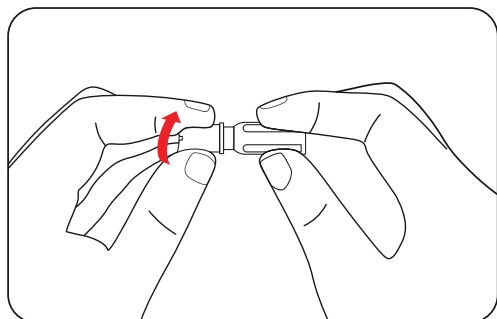
Technical Specifications

Device Name	Sterile disposable safety lancet
Model	AHG-IIA
Application	For capillary blood sampling
Gauge	28G
Needle Diameter	0.36mm
Penetration Depth	1.8mm
Sterilization	Irradiation sterilized
Suitability	Point-of-care testing
Safety Mechanism	Needle automatically retracts after use
Color	Transparent
Quantity	100 pieces sterile lancets per box

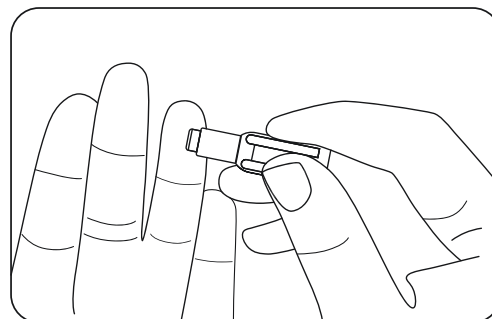


How to Use AHG Safety Lancets

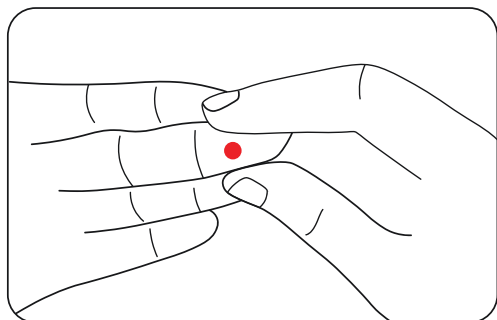
Operate with a simple twist and press, requiring no additional lancing device.



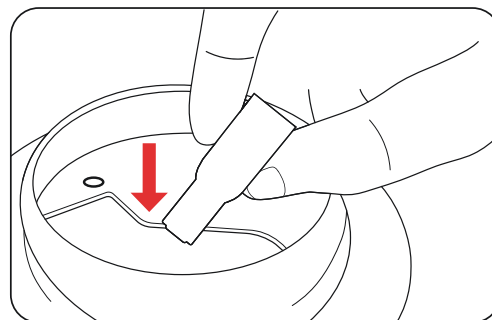
- ① Twist off the device cap (do not pull the cap directly).



- ② Press platform firmly against sampling site. Lancet will automatically retract into body of device.



- ③ Gently press around the puncture site to collect a blood sample.



- ④ Dispose in an appropriate container.

We Stand for Safety and Quality

The AHG Safety Lancet represents a significant advancement in blood sampling technology. Choose AHG Safety Lancets for a safer, more comfortable blood sampling experience.

Easy for the Staff

Ensures convenience, efficiency, and ease of use for healthcare providers, streamlining the blood sampling process.

Gentle for the Patients

Designed to provide maximum comfort, minimizing pain or discomfort during blood sampling, ensuring a better patient experience.

Disposable Safety Lancets

AHG-AII

Contents:
100 pieces sterile lancets per box

